

## THE PERFECT MAIN DRAIN UPGRADE FOR POOL RENOVATIONS

The AQUEA Retro-fit Lid Kit is the perfect solution for upgrading many popular main drain fittings when renovating or re-finishing concrete pools. The flush-fit lid integrates into the surrounding pool interior for a flawless finish every time, and the 'twist and click' lid avoids fiddly & unsightly screws.

The Retro-fit Lid Kit upgrades most popular Main Drain niches with AQUEA's integrated, flush-fit lid system.

### KEY FEATURES:

- Simple & easy solution for upgrading existing Main Drain fittings.
- The 'twist and click' lid system avoids fiddly and unsightly screws.
- Flush-fit lid removes protruding edges that can cause problems for automatic pool cleaners.



### SPECIFICATIONS

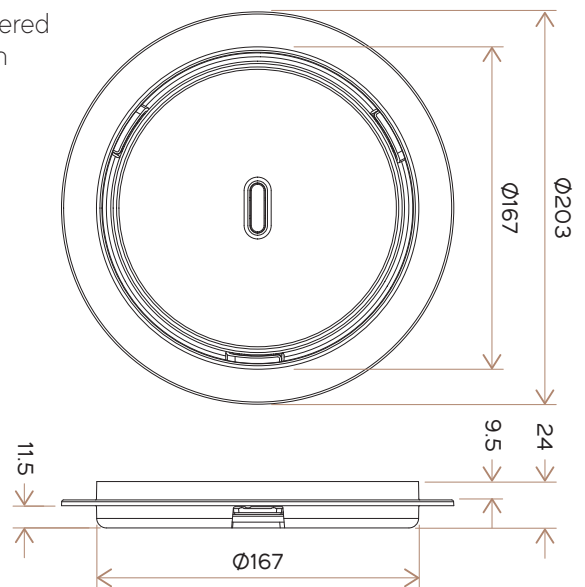
DESCRIPTION	Main Drain - Retrofit Lid Kit
PART NO.	474-208
POOL CONSTRUCTION	Suits concrete pools
COLOUR	White
MATERIAL	ABS - Pebble Rim & Lid PP - Render Plug
COMPATIBILITY	Kit is compatible with the following main drain niches: <ul style="list-style-type: none"> <li>○ AQUEA</li> <li>○ Waterco</li> <li>○ Pentair</li> </ul>
KIT CONTENTS	Lid Pebble Rim Lid Render Plug

**IMPORTANT:** THIS PRODUCT IS NOT APPROVED FOR USE AS A SUCTION OUTLET. DO NOT USE WITH MAIN DRAIN FITTINGS THAT ARE CONNECTED TO POOL RECIRCULATION SYSTEM

All dimensions in mm

### KEY DIMENSIONS

Registered Design



Specifications subject to change without notice.

AQUEA™ is a registered trademark of Vantage Products Pty. Ltd.

The contents of this document are the exclusive copyright of AQUEA™ and may not be reproduced without written permission. © 2019

Whilst every care was taken in preparation of this document, AQUEA™ accepts no responsibility for the accuracy of the information supplied.

474-822-03

# AQUEA

SUPERIOR PRODUCTS FOR YOUR POOL & LANDSCAPE