

THE SIMPLE MODULAR BUBBLER SYSTEM FOR CONCRETE POOLS & SPAS

BUBBLER+ is the simple and convenient bubbler system for your next concrete pool or spa project.

The modular design gives you the freedom to create the perfect layout for your pool or spa. Use it in seats, foot wells, benches, steps, beach entries, ponds, pool windows – the possibilities are endless!

KEY FEATURES:

- Compact nozzles provide a neat & discreet finish in a range of colours to suit your pool interior.
- Unique manifold provides even spacing between nozzles and can be cut to length if required.
- Risers compatible with standard pressure pipe or DN20 caps for wider spacing if required.

SPECIFICATIONS

DESCRIPTION	BUBBLER+ 18 Port Kit
KIT COLOUR OPTIONS (Nozzle colour)	<input type="checkbox"/> White - Part No.: 532-250 <input type="checkbox"/> Grey - Part No.: 532-253 <input type="checkbox"/> Black - Part No.: 532-254
POOL CONSTRUCTION	Suits concrete pools
MATERIAL	ABS - Manifold PVC - Riser PP - Nozzle & Construction Cap
COMPATIBLE PIPE SIZE	Body - DN50 Class 12 Riser - DN15 Class 18
KIT CONTENTS	Manifold (x 6) Riser (x 18) Nozzle (x 18) Construction Cap (x 18)
SPARE NOZZLES (18 Nozzles per bag)	<input type="checkbox"/> White - Part No.: 532-403 <input type="checkbox"/> Grey - Part No.: 532-404 <input type="checkbox"/> Black - Part No.: 532-405



WANT MORE INFORMATION?

Scan this code to watch our series of helpful BUBBLER+ videos.

AQUEA® is a registered trademark of Vantage Products Pty. Ltd.
The contents of this document are the exclusive copyright of AQUEA® and may not be reproduced without written permission. © 2021
Whilst every care was taken in preparation of this document, AQUEA® accepts no responsibility for the accuracy of the information supplied.



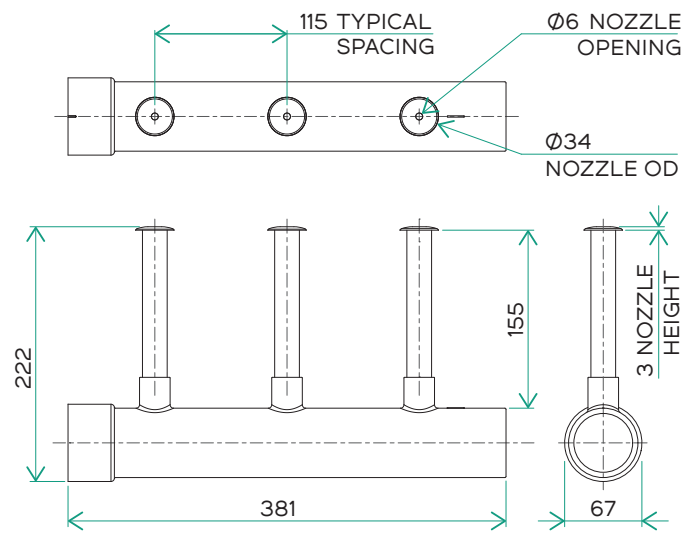
MAXIMUM RECOMMENDED PORTS

WATER DEPTH	PORTS (MAX.)*
Up to 500 mm	36
500 ~ 1000 mm	27
Over 1000 mm	Installer to determine maximum nozzles according to specific site requirements & water depth.

* Figures based on testing with Spa-King 1.5hp "Peacemaker" blower. Installer to ensure equivalent blower is used when referencing figures.

All dimensions in mm

KEY DIMENSIONS



Specifications subject to change without notice.

532-819-01

