

2019 CATALOGUE



flolux®
stainless steel pool fittings

flolux®
stainless steel pool fittings

CHRIS ADAMS

E: chris@flolux.com

M: +61 407 639 557

www.flolux.com

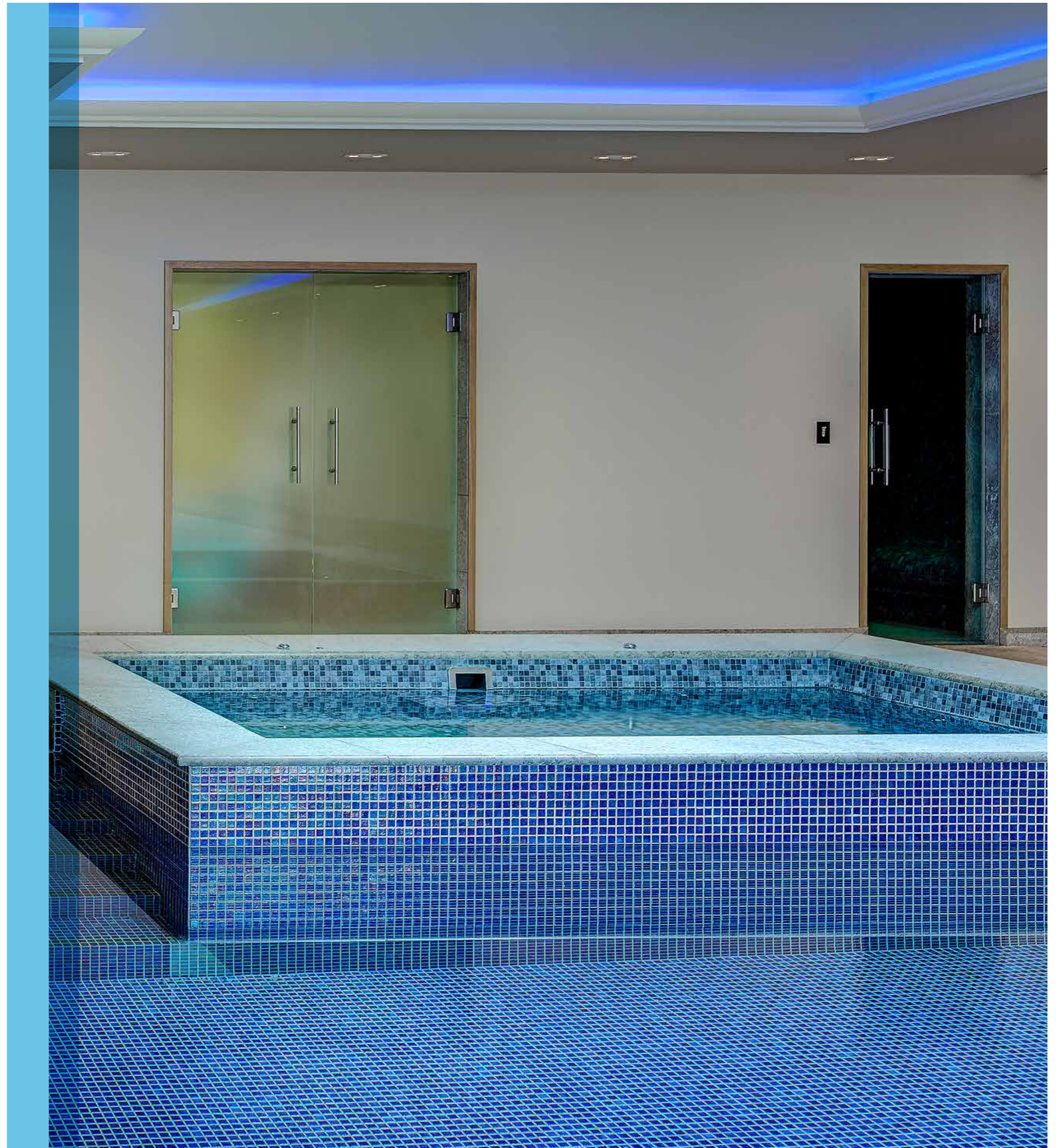


PHOTO CREDIT - PORTRAIT POOLS

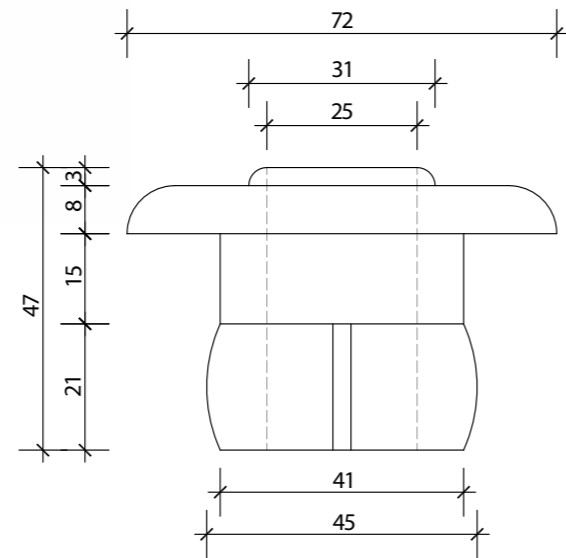
flojet^{40mm}



PRODUCT:
FloJet 40mm (1.5") Eyeball Return Jet, Push Fit

PRODUCT CODE :
FLX001

MATERIAL :
316L Stainless Steel Fascia
PVC Backing



flosuction^{40mm}

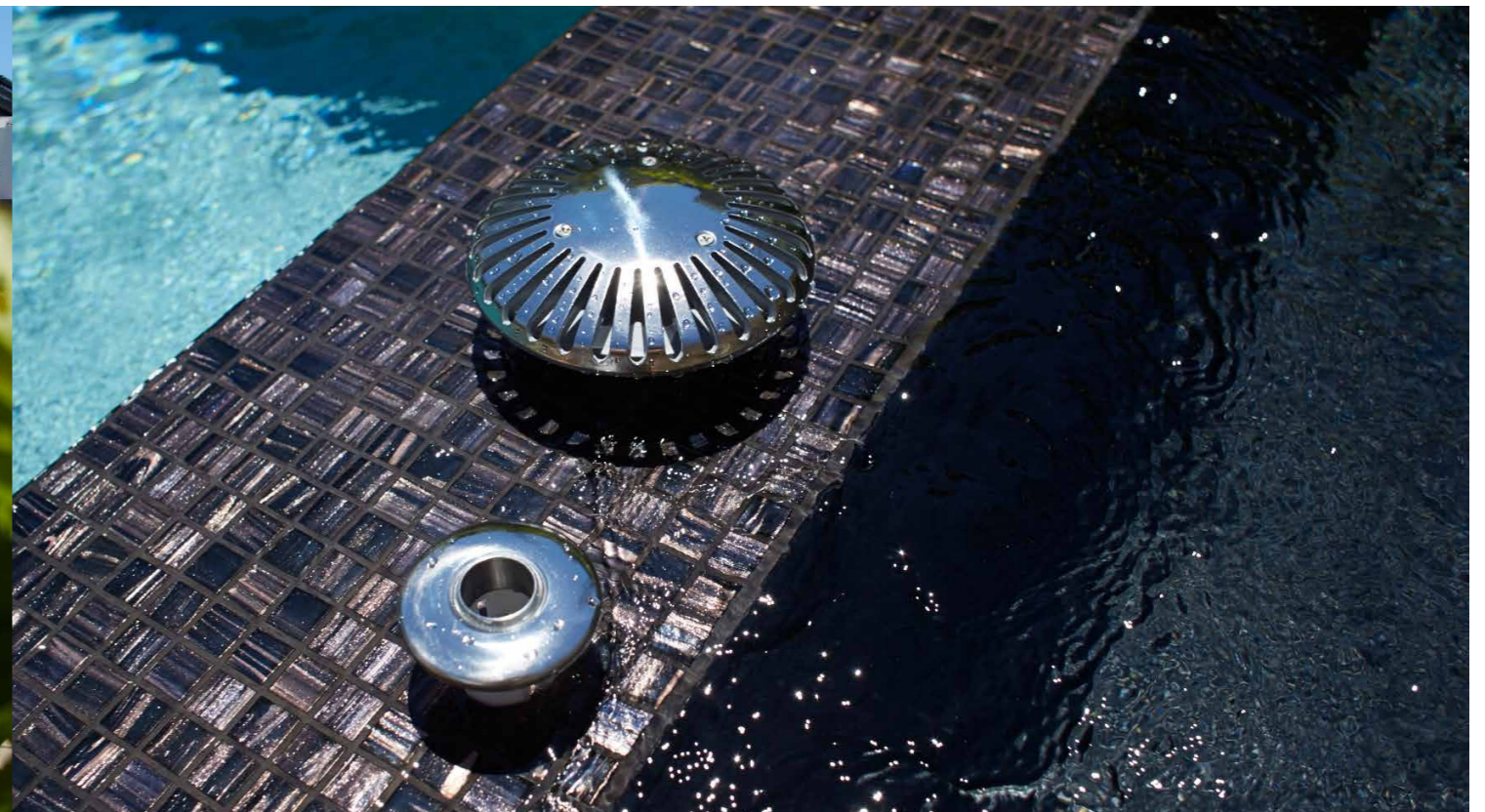
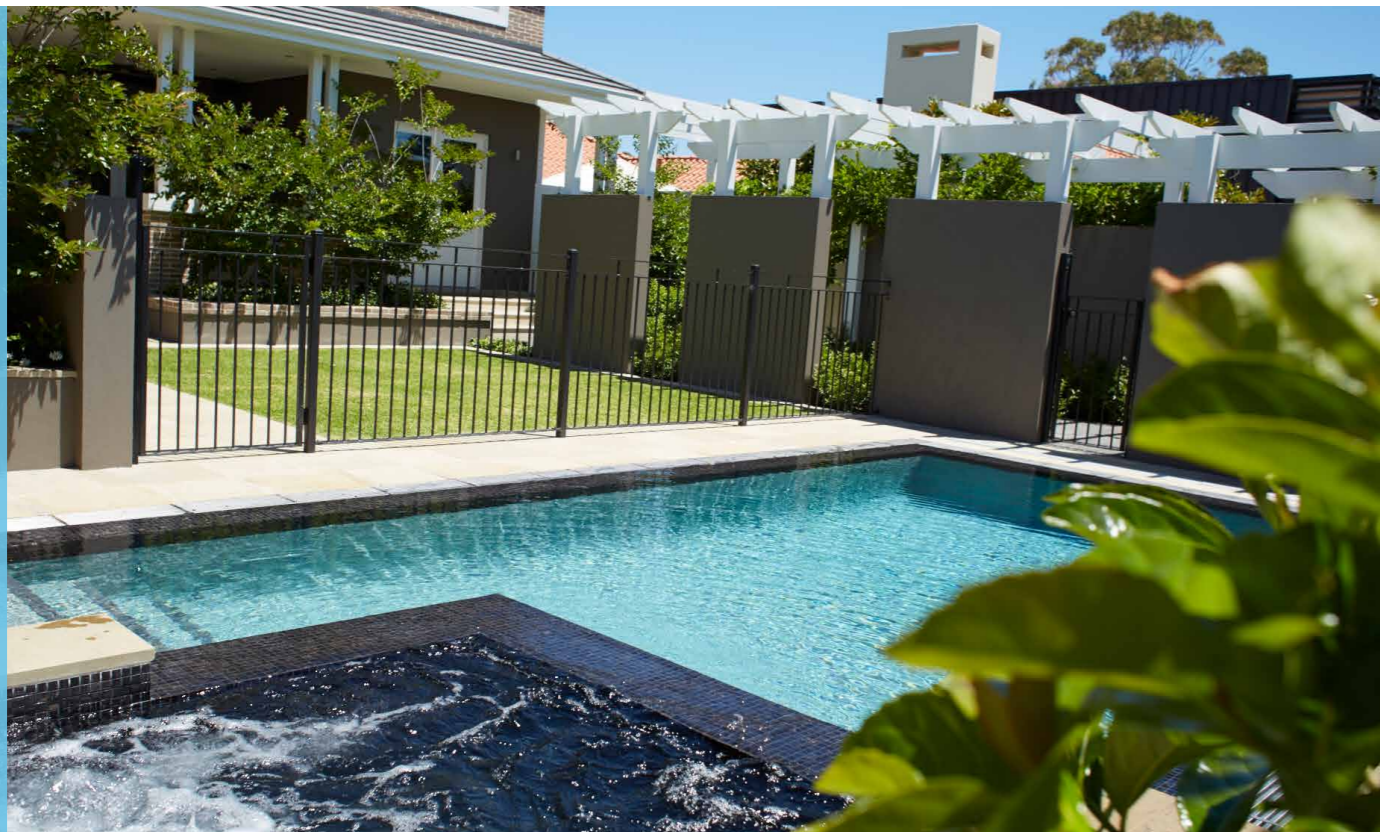
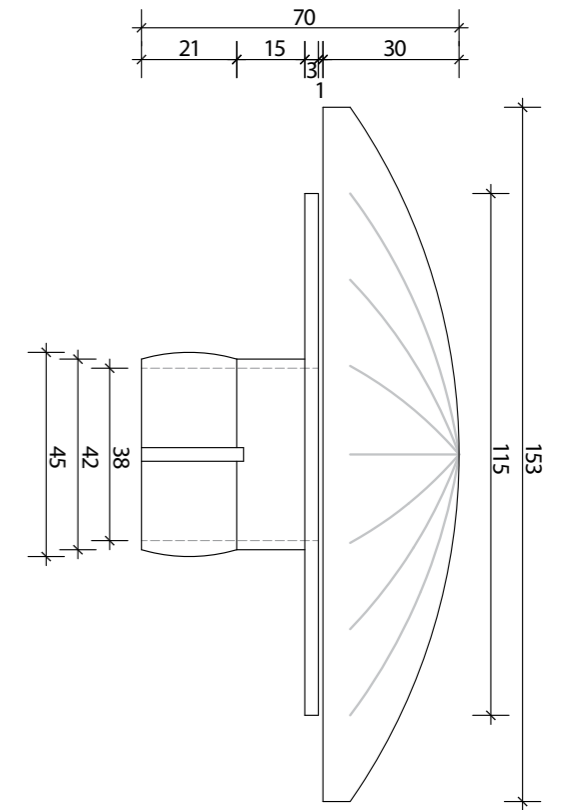


PRODUCT:
FloSuction 40mm (1.5") Safety Suction, Push Fit

PRODUCT CODE :
FLX002

MATERIAL :
316L Stainless Steel Fascia
PVC Backing (AS1926.3.2010 Approved 250L/PM)
Australian Standards Approved

Minimum two flosuction's per common suction line.



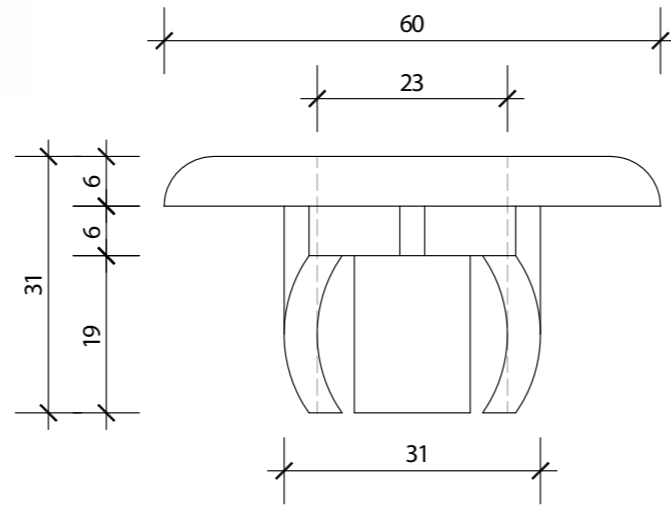
floair



PRODUCT:
FloAir 25mm (1") Air Diffuser, Push Fit

PRODUCT CODE :
FLX003

MATERIAL :
316L Stainless Steel Fascia
PVC Backing



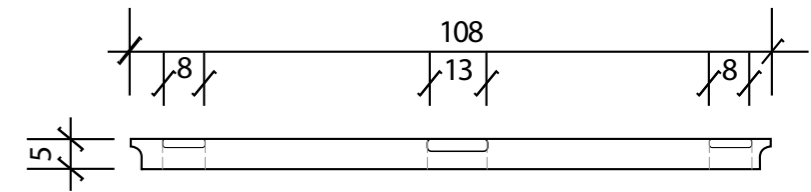
flofloor ^{FASCIA}



PRODUCT:
FloFloor Fascia, Screw Fastened

PRODUCT CODE :
FLX004

MATERIAL :
316L Stainless Steel Fascia
FloFloor fascia can be used with Waterco and Hayward
PVC Floor returns



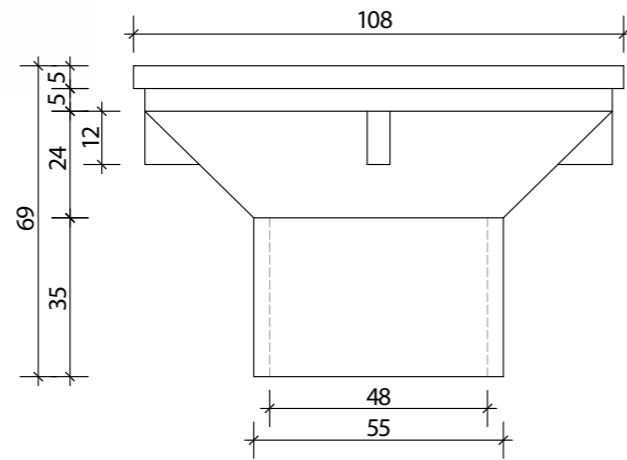
flofloor



PRODUCT:
FloFloor 40mm & 50mm (1.5"-2") Floor Inlet,
Slip Fit-Glued

PRODUCT CODE :
FLX005

MATERIAL :
316L Stainless steel Fascia,
PVC Backing



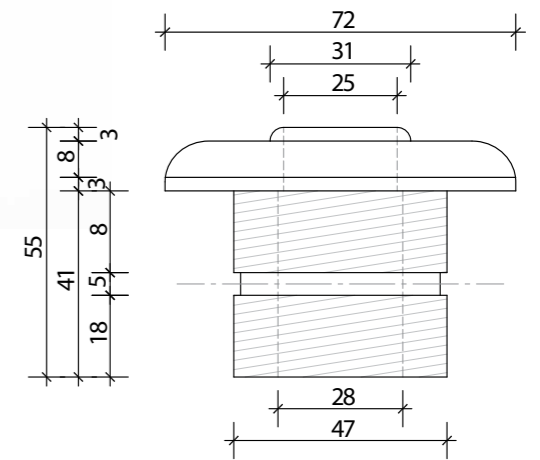
flojet ^{THREADED}



PRODUCT:
FloJet Threaded 40mm (1.5") Eyeball Return Jet,
Threaded Fit (Fibreglass Pool)

PRODUCT CODE :
FLX006

MATERIAL :
316L Stainless Steel Fascia
PVC Backing



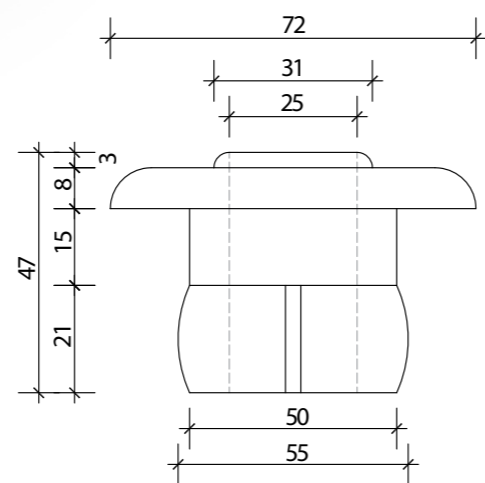
flojet 50mm



PRODUCT:
FloJet 50mm (2") Eyeball
Return Jet, Push Fit

PRODUCT CODE :
FLX007

MATERIAL :
316L Stainless Steel Fascia
PVC Backing



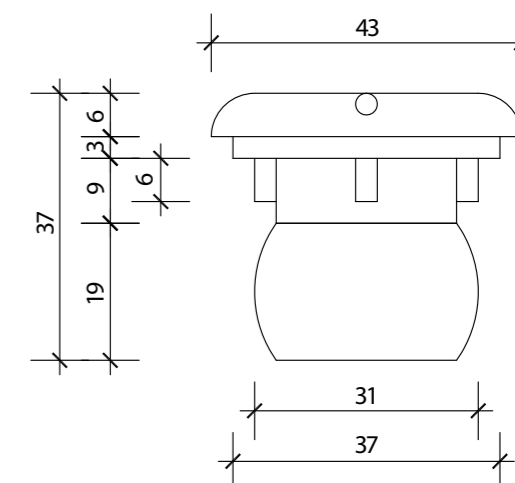
floair CONTROL

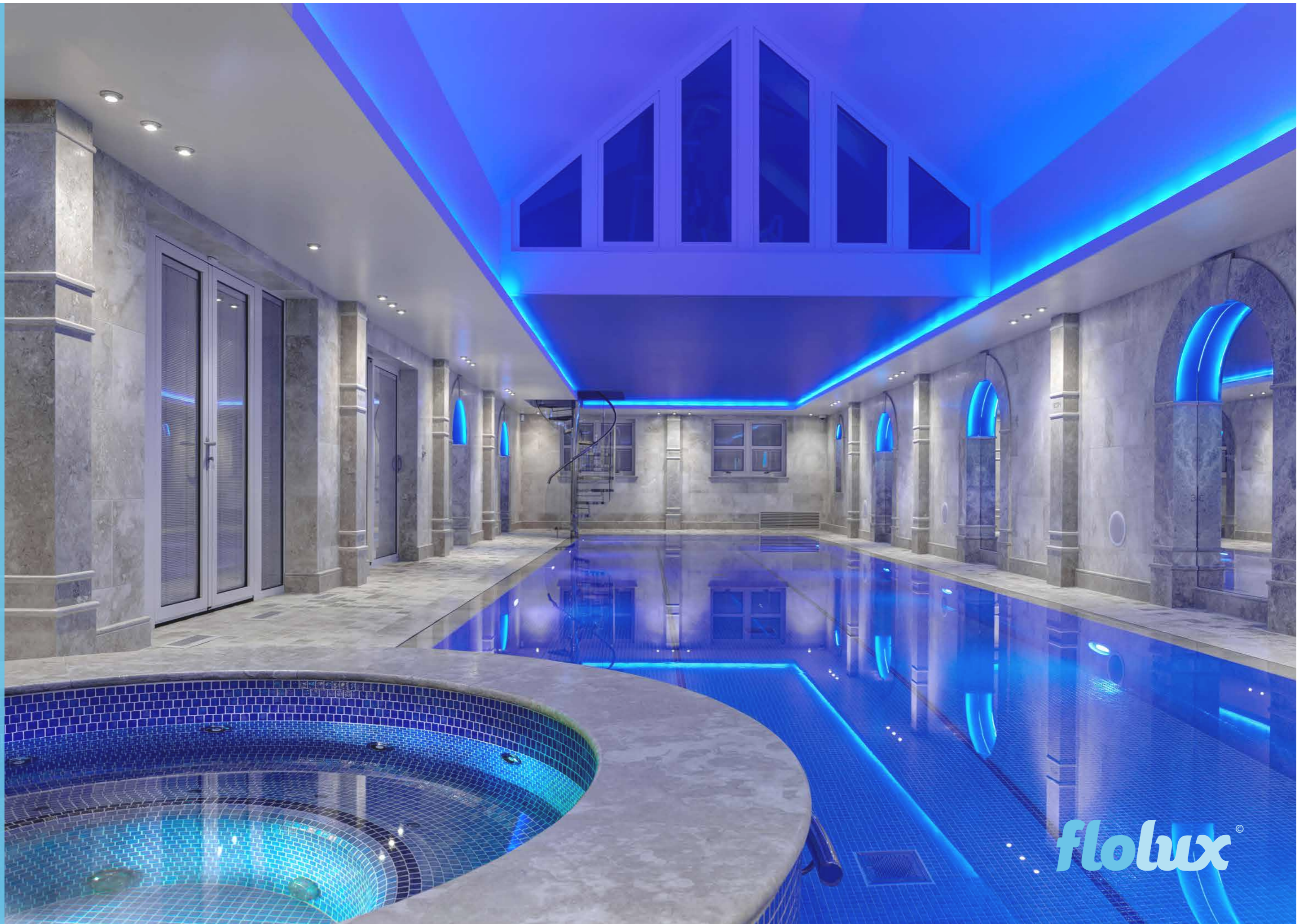


PRODUCT:
Air Control 25mm (1")
Air Venturi, Push Fit

PRODUCT CODE :
FLX008

MATERIAL :
316L Stainless Steel Fascia
PVC Backing





flolux®

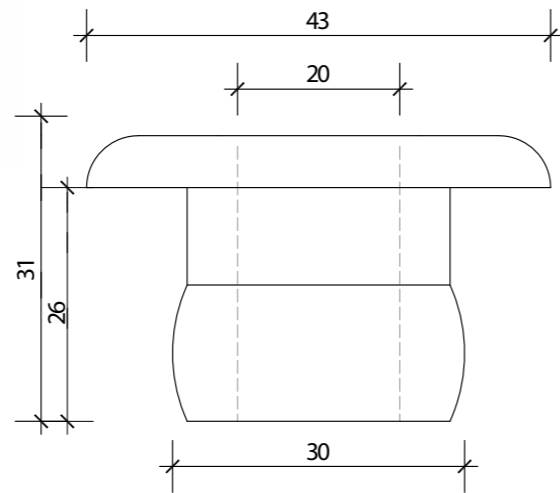
flobubbler



Bubbler 25mm (1")
Dress Ring, Water Spout, Push Fit

PRODUCT CODE :
FLX009

MATERIAL :
316L Stainless steel only



flosuction^{50mm}

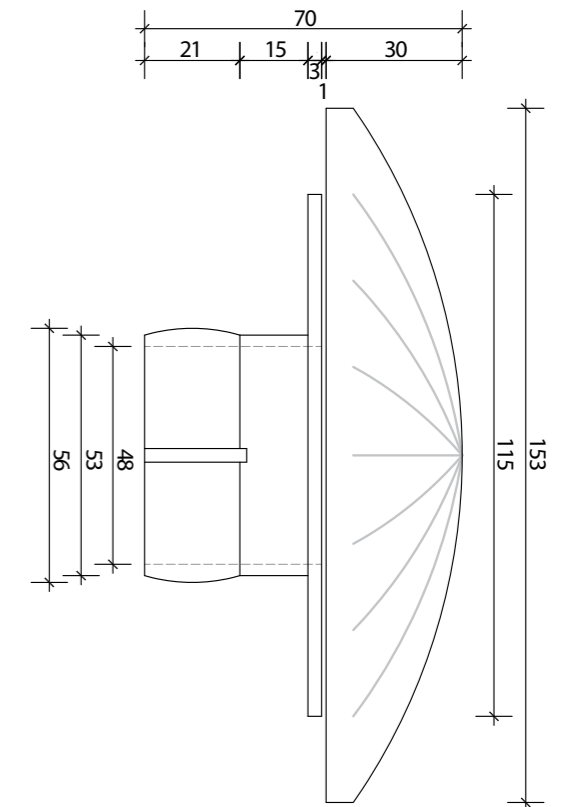


PRODUCT:
FloSuction 50mm (2")
Safety Suction, Push Fit

PRODUCT CODE :
FLX010

MATERIAL :
316L Stainless Steel Fascia
PVC Backing (AS1926.3.2010 Approved 280L/PM)
Australian Standards Approved

Minimum two flosuction's per common suction line.



flo suction THREADED

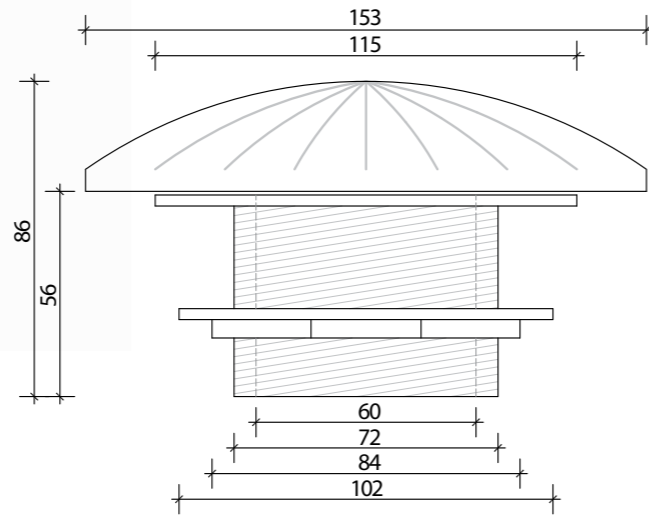


PRODUCT:
FloSuction 50mm (2") Safety Suction for Fibreglass Pools, Slip Fit + Locking Nut-Glued

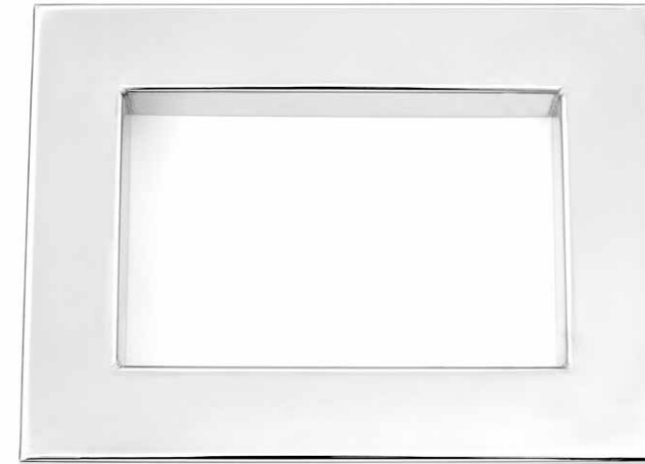
PRODUCT CODE :
FLX011

MATERIAL :
316L Stainless Steel Fascia
PVC Backing (AS1926.3.2010 Approved 280L/PM)
Australian Standards Approved

Minimum two flosuction's per common suction line.



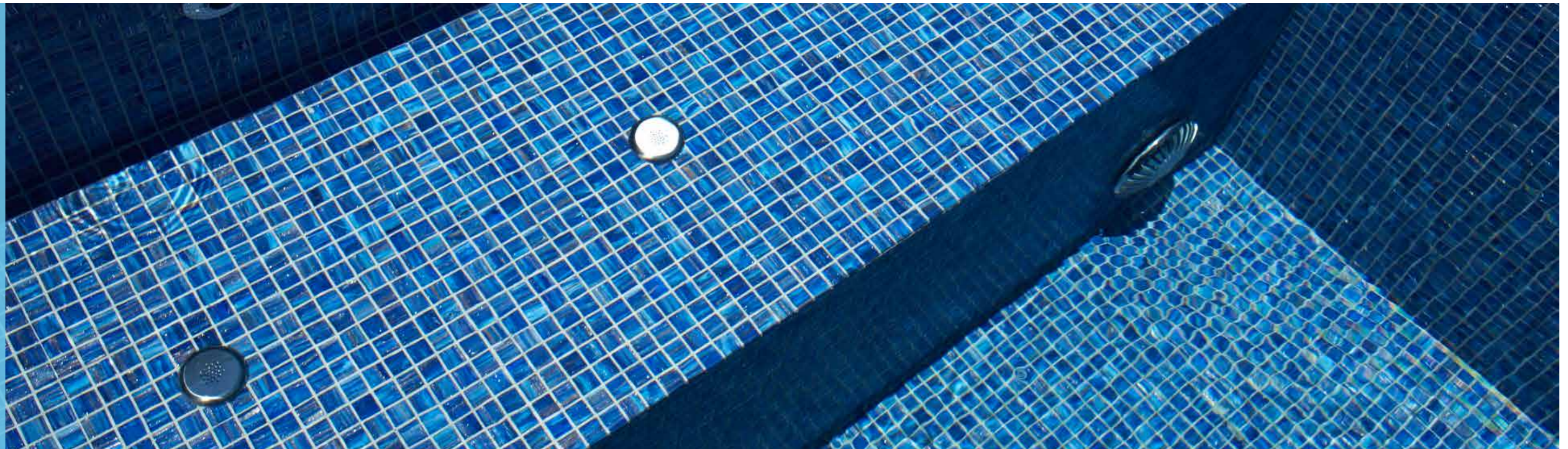
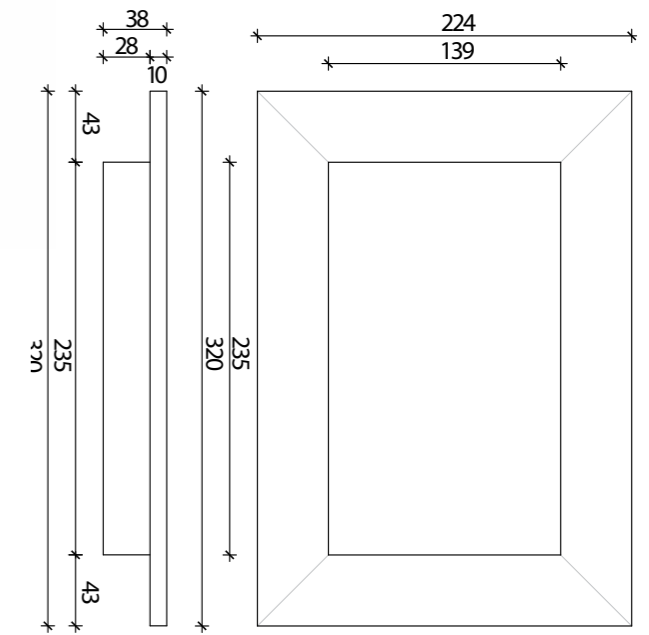
flo skimmer FASCIA



PRODUCT:
FloSkimmer Skimmer Box Fascia
Glued Fascia to fit Astral, Waterco and Zodiac Skimmers (ask for available sizes)

PRODUCT CODE :
FLX012-ASTRAL
FLX013-WATERCO + ZODIAC

MATERIAL :
316L Stainless Steel Fascia Only



flo suction PVC 40mm

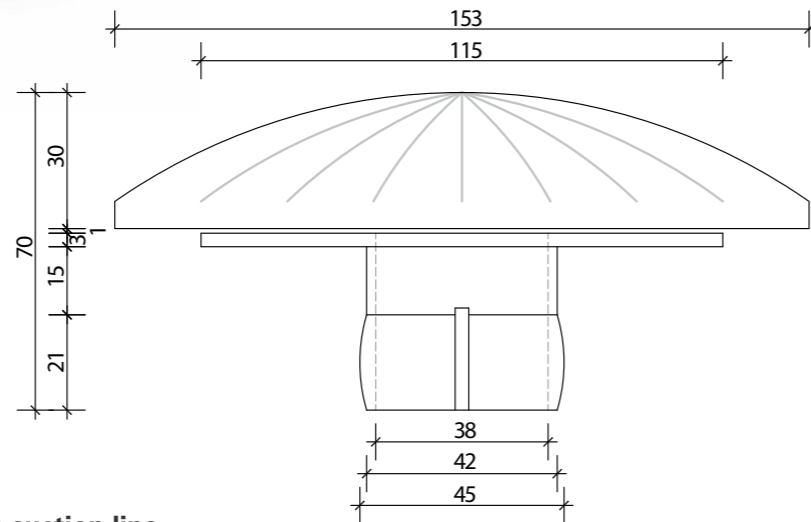


PRODUCT:
FloSuction Plastic 40mm (1.5")
Safety Suction, Push Fit

PRODUCT CODE :
FLX014

MATERIAL :
PVC Only
(AS1926.3.2010 Approved 250L/PM)
Australian Standards Approved

Minimum two flosuction's per common suction line.



flo suction PVC 50mm

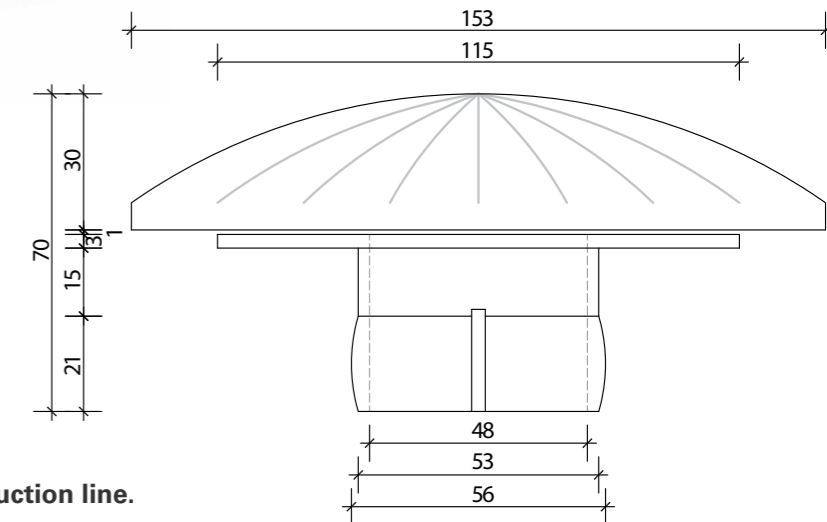


PRODUCT:
FloSuction Plastic 50mm (2")
Safety Suction, Push Fit

PRODUCT CODE :
FLX015

MATERIAL :
PVC (AS1926.3.2010 Approved 280L/PM)
Australian Standards Approved

Minimum two flosuction's per common suction line.



flosuction PVC THREADED

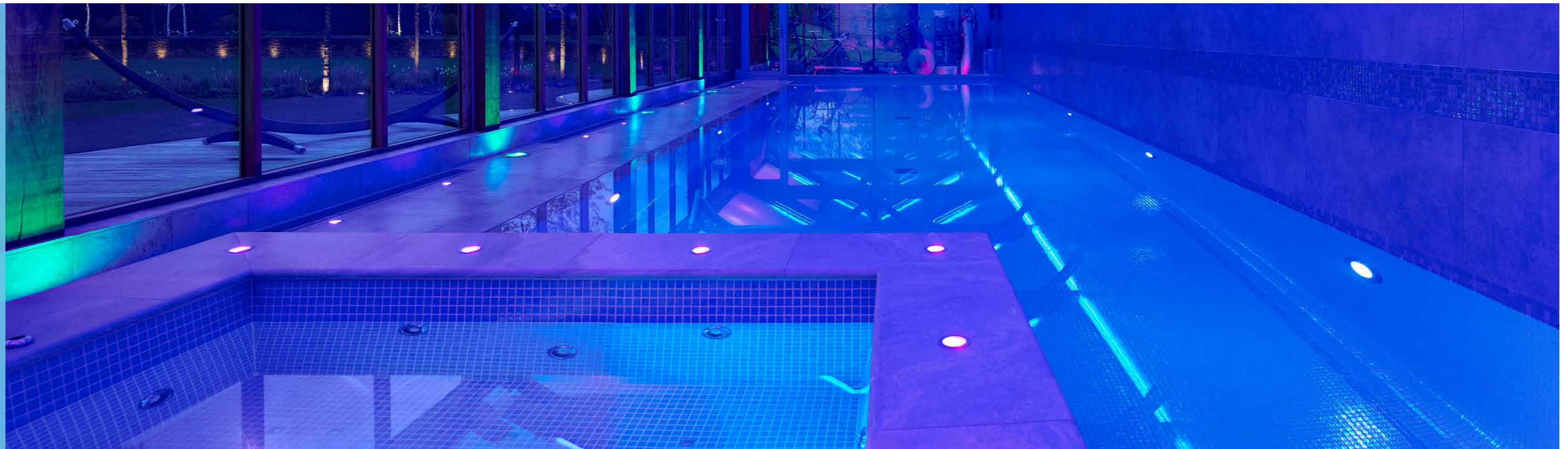
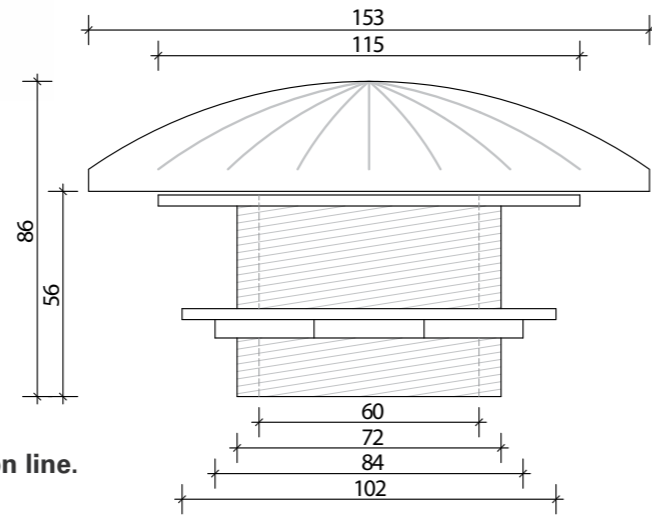


PRODUCT:
FloSuction Plastic 50mm (2")
Fiberglass Pools

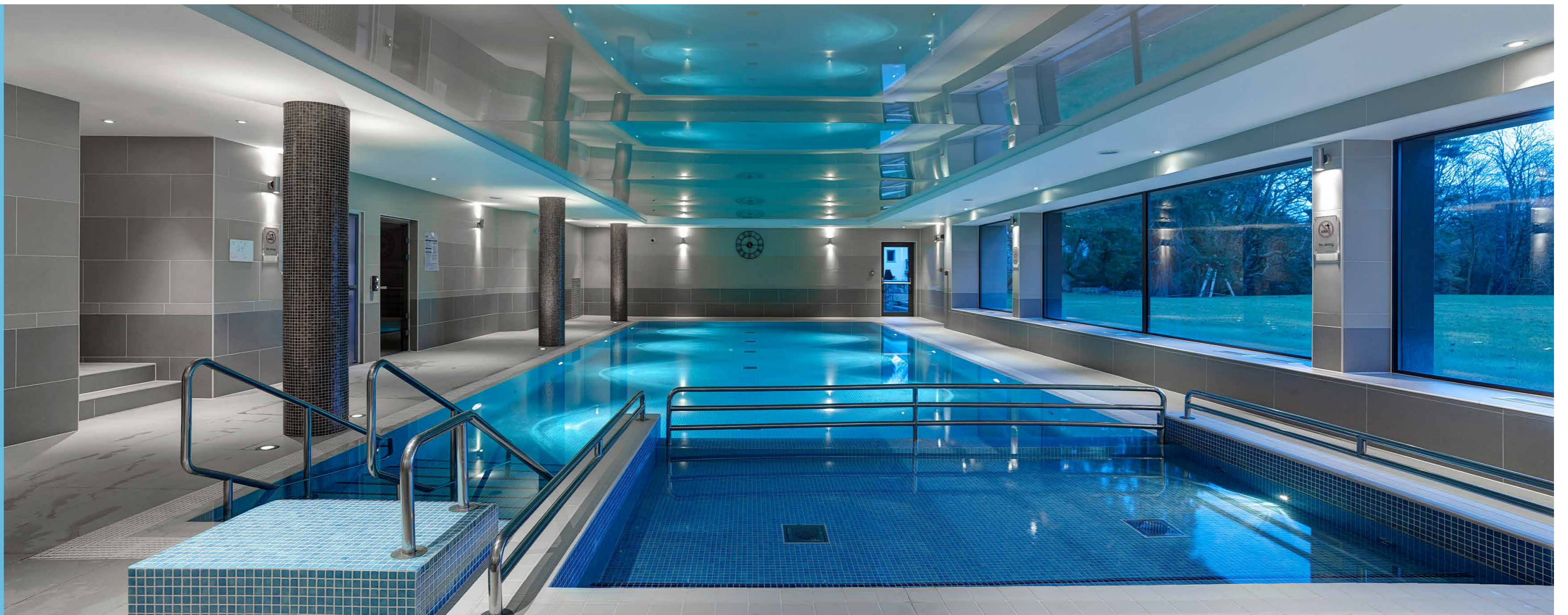
PRODUCT CODE :
FLX016

MATERIAL :
PVC Only
Australian Standards Approved

Minimum two flosuction's per common suction line.



Incomparable finishing for luxury pools and spas.



flolux[®]

stainless steel pool fittings

CHRIS ADAMS

E: chris@flolux.com

M: +61 407 639 557

www.flolux.com

