



Ultra VS Series

High Performance Variable Speed Pump Range



Control Panel replicated to show screen detail

LEGEND 
pumps

**BEST QUALITY!
BEST SERVICE!**

Pool products you can rely on

**ENERGY SAVING,
HIGH-PERFORMANCE,
REMARKABLY QUIET.**

The new Ultra VS series pumps, harnesses the latest technology, delivering the ultimate in energy efficiency whilst remaining remarkably quiet.



Empowered by
LEGEND 

www.legendproducts.com.au

Ultra VS Series

UNMATCHED RELIABILITY & EFFICIENCY



Efficient, variable speed technology with remarkably quiet operation.

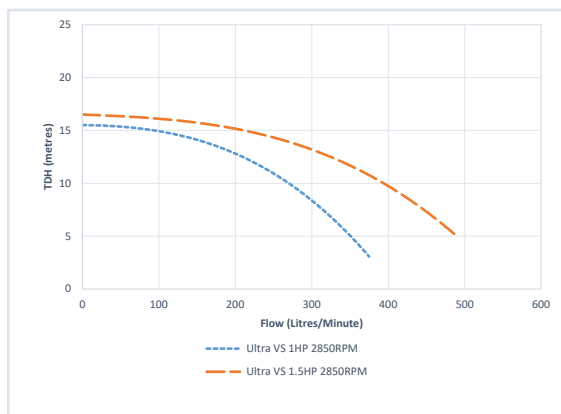
The Legend Ultra Series Variable Speed Pumps are designed in America and specifically engineered for the demanding requirements of today's in-ground swimming pool/spa that are equipped with large capacity filters, heaters, and pool cleaning equipment.

The variable speed, totally enclosed permanent magnet motor, combined with its advanced hydraulic design, optimises the three essential pump elements to deliver superior flow, whilst remaining energy efficient with a housing design that makes it as quiet as it is dependable.

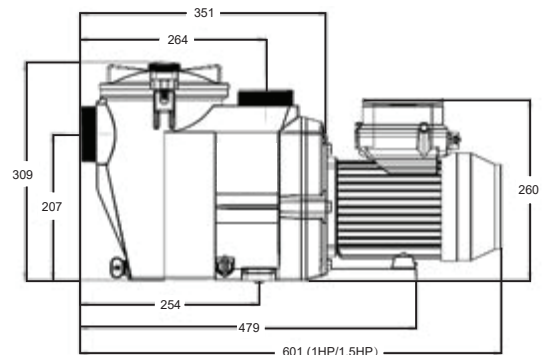
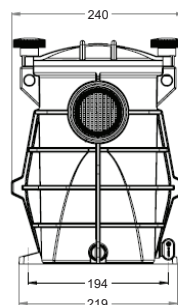
Technical Specifications

Model	Max Total Head	Max Flow Rate	Input W	Input Amps	Noise dBA	Weight (kg)	Ingress Protection
Ultra 300 VS 1.0HP	15.8m/155kPa	300 l/min	800W	5.5A	<70	11.5kg	IPX5
Ultra 420 VS 1.5HP	16.5m/160kPa	420 l/min	1300W	8.5A	<70	13kg	IPX5

Ultra VS Series Performance at High Speed



Dimensional Drawing



All dimensions in millimeters

WARRANTY

- 1 year in field warranty
- 3-year warranty on motor and wet end
- 12 months on mechanical seal

Legend Products and Services

23 Dulwich Street, Loganholme, Brisbane, QLD, 4129.

Phone: 07 3806 1823

Email: sales@legendproducts.com.au