

## **TROUBLE SHOOTING GUIDE**

If the Pump and Motor runs but there is little or no water flow, the following conditions may apply:-

1. Check to see if the Filter needs cleaning or is blocked - refer to Filter Instruction Manual.
2. Pump is not primed - re-prime as per instructions in "Starting Pump".
3. Air leaks in suction lines - Check for air bubbles under Clear Lid and tighten. Check all pipes and connections and repair if necessary.
4. Water on ground under the Pump and Motor usually indicates a damaged Pump Shaft Seal - this should be repaired immediately or further damage may occur.
5. Pump unable to draw water from the pool - check that Valves to the Pump are fully open and that the water level is correct in the pool.
6. Blockages - Check Strainer Basket and Pool Skimmer Basket are free of obstruction. If a blockage is suspected inside the Pump or in the Pipework the advice of your pool service technician should be sought.

### **If the motor does not run, the problem could be that:-**

1. Power not connected - Check power point by plugging in a portable appliance to ensure power is available. Also check Fuses and Main Power Supply Switch.
2. Overload tripped - Poolrite Motors incorporate an Internal Switch that will reset automatically after the Motor has cooled.
3. Blockage preventing Pump from rotating.
4. Motor fused or "burnt out" - "burning" smell evident - replacement may be required.

## **Warning**

The Pump Motor is an electrical device and as such should not be disassembled or serviced by anyone other than an authorised Poolrite Service Technician or qualified Electrical Service Company.

The appliance is not intended for use by young children or infirm persons unless they have been adequately supervised by a responsible person to ensure that they can use the appliance safely.

Young children should be supervised to ensure that they do not play with the appliance.

Also, any other problems that cannot be corrected by routine maintenance should be attended to by an experienced Pool Service Technician.

## **OPERATING INSTRUCTIONS**

### **STARTING PUMP**

Before switching the pump ON check that all Pipework is properly sealed and that the pool water is at the recommended level (check with your Pool Builder).

#### **1a. Self Priming Pump with Strainer Pot**

First prime the Pump by removing the Clear Lid by unscrewing in an anti-clockwise direction.

Fill the Strainer Pot with water to the Suction Port. Replace the Lid ensuring that it is sealed on the Gasket properly and tighten in a clockwise direction.

#### **1b. Non Self Priming Pump without Hair and Lint Pot**

The Non Self Priming Pump should always be installed below the pool water level, therefore ensure the suction pipe and pump body are filled with water.

2. Connect to power supply and switch ON.
3. Allow Pump to run discharging the water back to the pool.
4. If flow is not established within approximately 1 minute, switch off the Pump and repeat procedure. Continued failure to prime may indicate an air leak in the suction line which should be rectified.

### **ROUTINE MAINTENANCE**

The Strainer Basket should be inspected frequently through the Clear Lid and emptied as follows when a build-up of rubbish is evident.

1. Switch off Pump.
2. Remove Clear Lid.
3. Remove Strainer Basket.
4. Empty accumulated rubbish and hose Strainer Basket clean.
5. Replace Strainer Basket.
6. If Strainer Pot has emptied of water, repeat steps in "Starting the Pump".

### **WATER LEAKS**

7. Water leaking from under the Pump and Motor should be attended to immediately as this would indicate a failure of the Pump Shaft Seal. If this seal is not immediately replaced damage may occur.
8. Pool water leaking onto the pump motor from associated plumbing should be attended to immediately before damage occurs.

### **MOTOR NOISE**

9. If the Pump Motor starts to get "noisy" the Motor should be checked by a Pool Technician to ascertain whether the Motor Bearings need replacement. This should be attended to immediately as Bearing failure may cause Motor burn out.

### **LARGE AIR BUBBLES UNDER THE STRAINER POT LID**

10. Check the Gasket under the Clear Lid and check the pipe connection to the Suction Port at the front of the Pump to make sure it is tight - do not overtighten.

### **CHEMICAL BALANCE GUIDE**

11. The unit is designed to be used for Spa or Swimming Pool water, balanced in accordance with Langelier Saturation Index, with a pH level of 7.0 to 8.0 and is regularly treated with a chlorine Sanitising agent, the level not exceeding 3000 PPM.

## **INSTALLATION INSTRUCTIONS**

The "Enduro" Pump has been designed to work with a variety of filter types including Sand, Cartridge and Diatomaceous Earth. The installation of the Enduro Pump should be carried out by an experienced Pool Plumbing, Pump and Filter Installer.

### **LOCATION**

1. Install at a distance no more than 12 metres from the Pool or Spa and no more than 1 metre above water level or 1 metre below water level in the case of the Self-Priming Pump with Strainer Pot. If the pool is to be installed outside these parameters, seek the advice of your local Poolrite Distributor.

2. The Pump should be placed on a secure and level concrete block or similar base 600 x 300mm in size (Pump only) and should be placed in a location that cannot be flooded by storm water or by accidental immersion.

3. The rear of the Motor should be no closer than 150mm from a wall, fence or any other barrier to allow for adequate airflow to cool the Motor.

### **PIPE CONNECTION**

4. The Suction and Discharge Ports are provided with Union Adaptors for quick disconnection. These connectors will accept either 40mm or 50mm PVC pipe and should be joined to the pipe with PVC Solvent Cement. Suction lines should be no smaller than as follows:-

Pump Model	Max Suction Line Length	Min. PVC pipe size
EP 750	12m	50mm
EP 900	12m	50mm
EP 1100	12m	50mm

Discharge pipe should be no smaller than 40mm.

When installed below water level, Shut-off Valves should be fitted to the Suction and Discharge Lines which should be free from air leaks. The discharge from the Pump Outlet should be connected to the Inlet of the Filter and the Suction Port connected to the Skimmer Box or Suction Outlet from the Pool or Spa.

### **WEATHER PROTECTION**

5. The **Enduro** Pump is completely Weatherproof and therefore no enclosure is necessary. However should it be desirable to install the Pump in an enclosure, the enclosure must have both a ventilation inlet and outlet opening to allow cooling airflow around the Pump Motor. Each opening should be at least 200 sq cm in area as close as practicable to the Pump.

### **POWER CONNECTION**

6. The **Enduro** Pump is designed to be connected to a nominal 240 volt 50Hz power supply and is supplied with a 1.8 metre lead and 3 Pin Plug. A Weatherproof 3 Pin Power Point should be fitted by an electrician in a dry place, shielded from pool water splash over.

**EXTENSION LEADS ARE NOT RECOMMENDED FOR USE WITH THIS EQUIPMENT BECAUSE THEY ARE UNSAFE IN AND AROUND THE POOL ZONE.**

**ENDURO PUMP WARRANTY**

In addition to the conditions of sale and warranties implied at law and which may not be excluded, Marco Engineering warrants the Enduro Pump to be free from defect for a period of up to two (2) years from the date of purchase by the Owner from Marco Engineering or an authorised supplier of the Enduro Pump.\*

Marco Engineering will authorise a qualified technician to repair the Enduro Pump provided that:

- Marco Engineering is notified within seven (7) days of the defect being detected;
- the Enduro Pump has not undergone any unauthorised modification or been fitted with other than genuine Poolrite approved parts; and
- the Enduro Pump has been installed and operated in accordance with the Installation Instructions and Operating Instructions, respectively.

Marco Engineering will not be liable to repair the Enduro Pump if the repair is necessary because of misuse, accidental damage, entry of foreign objects or materials into the equipment, improper or inadequate maintenance or repair or incorrect operation of the Enduro Pump.

This warranty does not extend to reasonable wear and tear of the Enduro Pump.

All repairs must be undertaken by a technician authorised by Marco Engineering.

The Owner will be responsible for all freight and/or travelling charges. Marco Engineering accepts no responsibility for goods while in transit.

Marco Engineering accepts no responsibility for representations other than expressly contained in literature published by Marco Engineering. In particular Marco Engineering has made no representation as to the fitness of the Enduro Pump for any particular purpose except as contained in such literature.

\* Terms and conditions apply, please visit [www.poolrite.com/pages/warranty](http://www.poolrite.com/pages/warranty) for more information.



Complete, detach and return to Marco Engineering

**WARRANTY CARD**

Name of Purchaser: \_\_\_\_\_

Address: \_\_\_\_\_  
\_\_\_\_\_  
\_\_\_\_\_

Purchased From: \_\_\_\_\_

Date: \_\_\_\_\_

Equipment and Model: \_\_\_\_\_



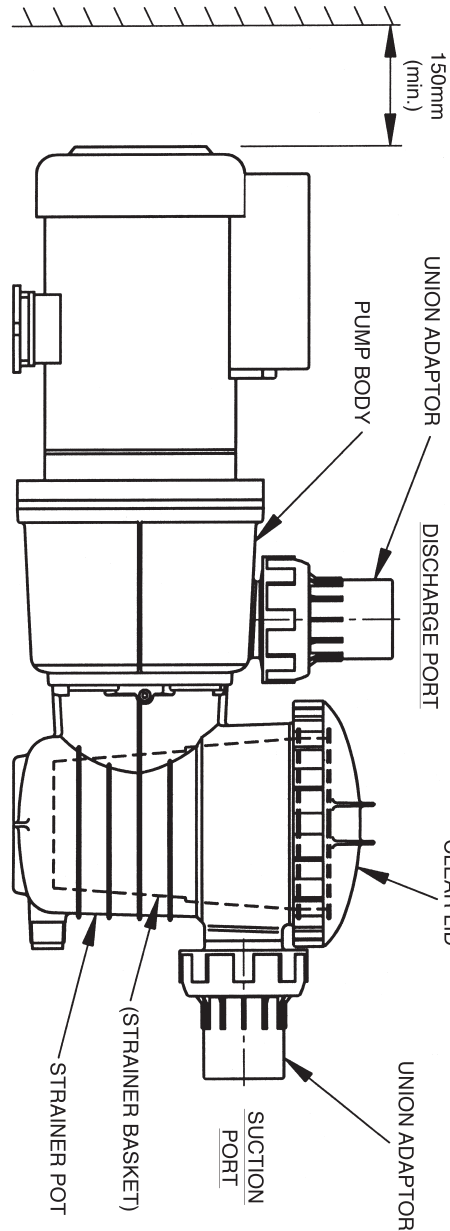
**Marco Engineering**

PO Box 1491, Browns Plains QLD 4118  
Phone: +61 7 3803 6222 | Fax: +61 7 3803 6353  
Email: [poolrite@evolvegrp.com](mailto:poolrite@evolvegrp.com) | [www.poolrite.com](http://www.poolrite.com)

**Customer Record**

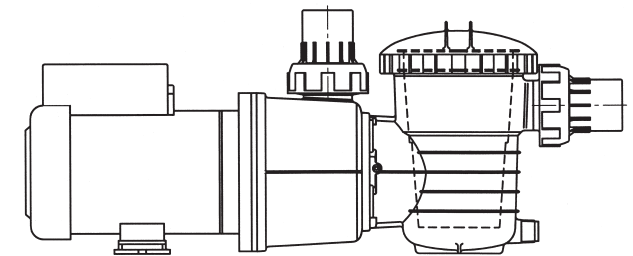
Purchased From: \_\_\_\_\_  
\_\_\_\_\_

Purchase Date: \_\_\_\_\_



# ENDURO

SWIMMING POOL PUMP



## QUICK START GUIDE